



**READ AND FOLLOW ALL SAFETY INSTRUCTIONS!**  
**SAVE THESE INSTRUCTIONS AND DELIVER TO OWNER AFTER INSTALLATION**

- To reduce the risk of death, personal injury or property damage from fire, electric shock, falling parts, cuts/abrasions, and other hazards please read all warnings and instructions included with and on the fixture box and all fixture labels.
- Before installing, servicing, or performing routine maintenance upon this equipment, follow these general precautions.
- Installation and service of luminaires should be performed by a **qualified licensed electrician**.
- Maintenance of the luminaires should be performed by person(s) familiar with the luminaires' construction and operation and any hazards involved. Regular fixture maintenance programs are recommended.
- It will occasionally be necessary to clean the outside of the refractor/lens. Frequency of cleaning will depend on ambient dirt level and minimum light output which is acceptable to user. Refractor/lens should be washed in a solution of warm water and any mild, non-abrasive household detergent, rinsed with clean water and wiped dry. Should optical assembly become dirty on the inside, wipe refractor/lens and clean in above manner, replacing damaged gaskets as necessary.
- **DO NOT INSTALL DAMAGED PRODUCT!** This luminaire has been properly packed so that no parts should have been damaged during transit. Inspect to confirm. Any part damaged or broken during or after assembly should be replaced.
- Recycle: For information on how to recycle LED electronic products, please visit [www.epa.gov](http://www.epa.gov).
- These instructions do not purport to cover all details or variations in equipment nor to provide every possible contingency to meet in connection with installation, operation, or maintenance. Should further information be desired or should particular problems arise which are not covered sufficiently for the purchaser's or owner's purposes, this matter should be referred to Acuity Brands Lighting, Inc.




**WARNING**  
**RISK OF ELECTRIC SHOCK**

- ✓ Disconnect or turn off power before installation or servicing.
- ✓ Verify that supply voltage is correct by comparing it with the luminaire label information.
- ✓ Make all electrical and grounded connections in accordance with the National Electrical Code (NEC) and any applicable local code requirements.
- ✓ All wiring connections should be capped with UL approved recognized wire connectors.




**WARNING**  
**RISK OF BURN**

- ✓ Allow lamp/fixture to cool before handling. Do not touch enclosure or light source.
- ✓ Do not exceed maximum wattage marked on luminaire label.
- ✓ Follow all manufacturer's warnings, recommendations and restrictions for: driver type, burning position, mounting locations/methods, replacement and recycling.



**CAUTION**  
**RISK OF INJURY**

- ✓ Wear gloves and safety glasses at all times when removing luminaire from carton, installing, servicing or performing maintenance.
- ✓ Avoid direct eye exposure to the light source while it is on.



**CAUTION**  
**RISK OF FIRE**

- ✓ Keep combustible and other materials that can burn, away from lamp/lens.
- ✓ Do not operate in close proximity to persons, combustible materials or substances affected by heat or drying.



**CAUTION: RISK OF PRODUCT DAMAGE**

- ✓ Never connect components under load.
- ✓ Do not mount or support these fixtures in a manner that can cut the outer jacket or damage wire insulation.
- ✓ Unless individual product specifications deem otherwise: Never connect an LED product directly to a dimmer packs, occupancy sensors, timing devices, or other related control devices. LED fixtures must be powered directly off a switched circuit.
- ✓ Unless individual product specifications deem otherwise: Do not restrict fixture ventilation. Allow for some volume of airspace around fixture. Avoid covering LED fixtures with insulation, foam, or other material that will prevent convection or conduction cooling.
- ✓ Unless individual product specifications deem otherwise: Do not exceed fixtures maximum ambient temperature.
- ✓ Only use fixture in its intended location.
- ✓ LED products are Polarity Sensitive. Ensure proper Polarity before installation.
- ✓ Electrostatic Discharge (ESD): ESD can damage LED fixtures. Personal grounding equipment must be worn during all installation or servicing of the unit.
- ✓ Do not touch individual electrical components as this can cause ESD, shorten lamp life, or alter performance.
- ✓ Some components inside the fixture may not be serviceable. In the unlikely event your unit may require service, stop using the unit immediately and contact an ABL representative for assistance.
- ✓ Always read the fixtures complete installation instructions prior to installation for any additional fixture specific warnings.

**Please see product specific installation instructions for additional warnings or any applicable FCC or other regulatory statements.**

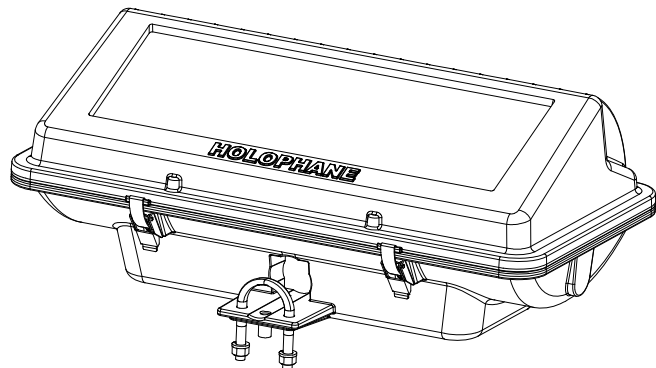
**Failure to follow any of these instructions could void product warranties. For a complete listing of product Terms and Conditions, please visit [www.acuitybrands.com](http://www.acuitybrands.com).**

<b>Our Brands</b>	<b>Indoor/Outdoor</b> Lithonia Lighting Carandini Holophane RELOC	<b>Indoor Lighting</b> Gotham Mark Architectural Lighting Peerless Renaissance Lighting Winona Lighting	<b>Outdoor Lighting</b> American Electric Lighting Antique Street Lamps Hydrel Tersen	<b>Controls</b> DARK TO LIGHT Lighting Control & Design ROAM Sensor Switch Synergy
-------------------	---	--	---	---

**Acuity Brands Lighting, Inc. assumes no responsibility for claims arising out of improper or careless installation or handling of its products.**

ABL LED General Warnings, Form No. 503.203

© 2011 Acuity Brands Lighting, Inc. All rights reserved. 3/15/11



GR2099

## 1 INTRODUCTION

### 1.1 Product Description.

This luminaire is designed with LEDs which do not require replacement. The unit is designed to fit onto a horizontal arm. The unit accommodates 1-1/4" round or 1-1/2" square pipe sizes. The Sign-Vue LED has been designed and tested in accordance with CSA C22.2 NO.250.0-08 / UL-1598 and is suitable for use in wet locations.

Fixture weight: 36 lbs. Max.

This device complies with Part 15 of the FCC Rules. Operation is subject to the following two conditions: (1) this device may not cause harmful interference, and (2) this device must accept any interference received, including interference that may cause undesired operation.

### 1.2 Alternate Information Sources.

Holophane, Field Service Department  
P.O. Box 3004  
Newark, OH 43058-3004  
(740) 345-9631

## 2 INSTALLATION

### 2.1 Tools and Materials Required.

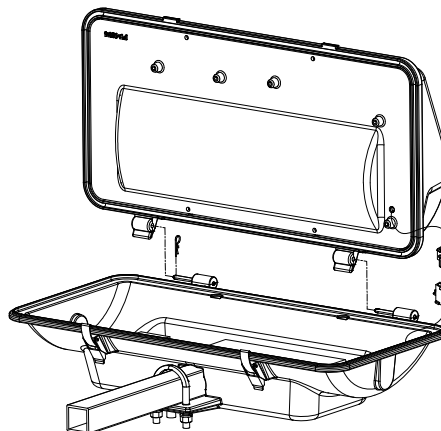
TABLE 1. Installation Tools and Materials

DESCRIPTION	USE
9/16" Socket & Ratchet	U-Bolt Nuts
Torque Wrench	U-Bolt Nuts
1/4" Allen Wrench	Tilt Control Set Screw
Flat Blade Screwdriver	Terminal Block
Level	Unit Leveling

### 2.2 Luminaire Installation

**2.2.1** The Optical Door assembly may be removed from Electrical housing for ease of installation. To remove the Optical Door, remove cotter pin from hinge pin. Unlatch both latches and open door to approximately 90°. Disconnect Optical Door electrical plug. Slide door off of hinge pins and set aside. See Figure 1.

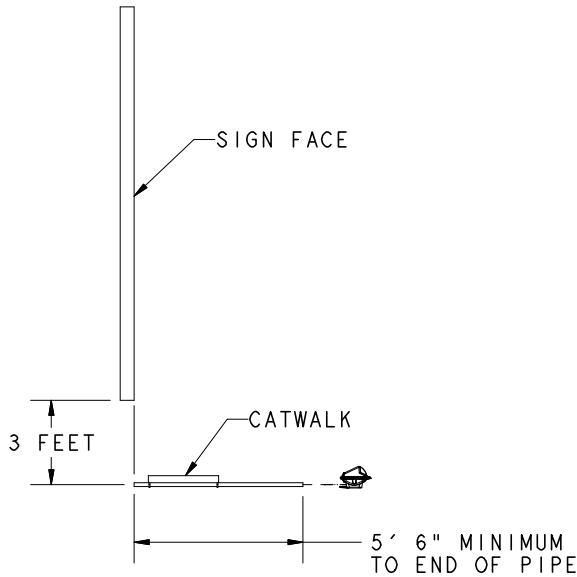
Figure 1



GR2100

**2.2.2** Prepare and level the mounting pipe and make sure the supply wires are accessible from the end of the pipe. The end of the pipe should be positioned approximately 3 feet below the bottom of the sign face and 5.5 feet minimum in front of the sign face. See Figure 2.

Figure 2 – Design Spacing for 14x48' Board



GR2105B

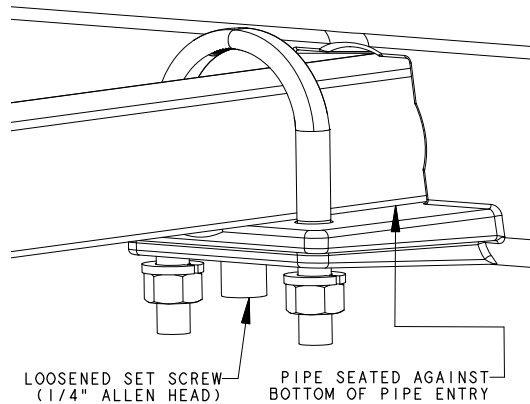
**2.2.3** Loosen U-Bolt nuts on luminaire and ensure set screw is loosened below pipe path. Feed electrical wires through U-Bolt and pipe entry gasket. Install fixture onto pipe, **ensuring pipe is fully seated against back wall of pipe entry in electrical housing.**

**2.2.4** To check for level, place level against bottom of Electrical Housing.

**Adjusting side to side level:** Grip each side of the unit and twist the unit clockwise or counter-clockwise on the arm until level.

**Adjusting front to back level:** Ensure pipe is level and end is cut squarely. Pull fixture snugly onto pipe, **ensuring pipe is fully seated against back wall of pipe entry in electrical housing.** Ensure pipe is seated against bottom of pipe entry. See Figure 3.

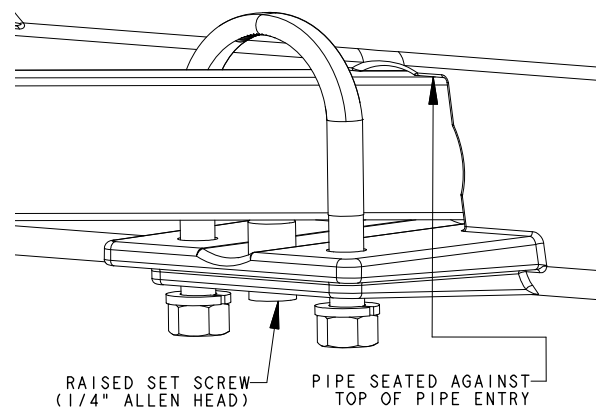
Figure 3 – Standard/Horizontal Mounting



GR2101

**Adjusting Vertical Aim:** When fixture is mounted less than 3' below bottom of sign, light uniformity will benefit from aiming the fixture down by approximately 5°. Ensure U-Bolt nuts are fully loosened. Pull fixture onto pipe ensuring pipe is fully seated against wire entry gasket. Tighten set screw until pipe is in firm contact with top of pipe entry. See Figure 4.

Figure 4 – Downward Aimed Fixture Mounting

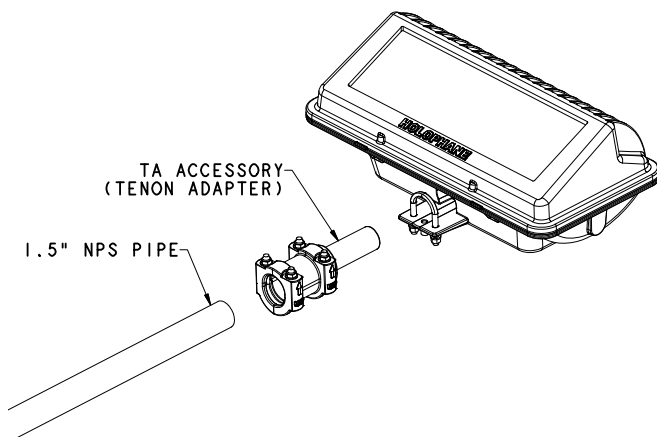


GR2102

Once the unit is level and aimed, tighten U-Bolt nuts equally to **20-25 ft-lb.**

2.2.5 If you purchased the **TA Accessory (Tenon Adapter)** for use on 1.5" NPS pipe, install Tenon Adapter onto pipe prior to installing luminaire. See Figure 5. Ensure pipe is fully inserted then tighten all 4 U-Bolt nuts to **20-25 ft-lbs.** Follow steps 2.2.3 through 2.2.4 to finish luminaire mechanical installation.

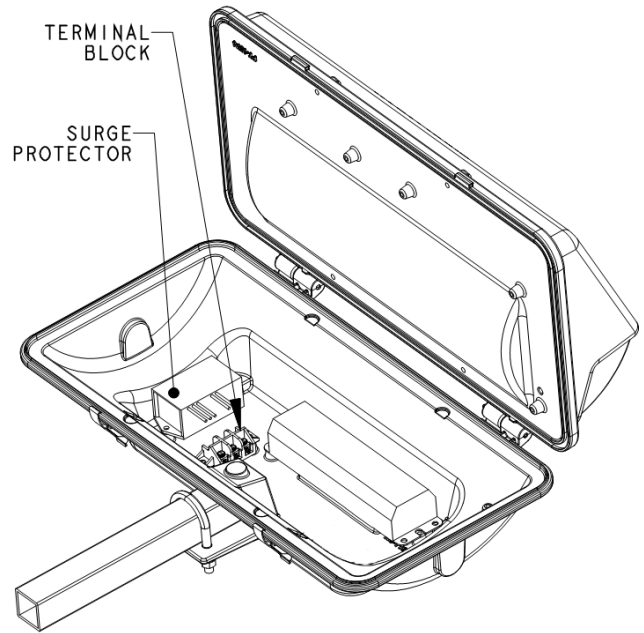
Figure 5



GR2187

2.2.6 Pull the supply wires from the pipe into the Electrical Housing. Connect the supply wires to the terminal block according to Figures 6 and 7. If one of the supply lines is electrically neutral, it should be connected to the "L2" position.

Figure 6



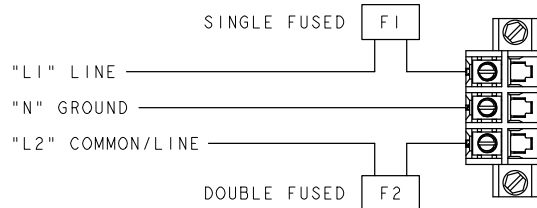
GR2103

Figure 7

TERMINAL BLOCK WIRING



FUSE KIT WIRING



GR1878

**WARNING**

If the wire connected to the “L2” position carries a voltage relative to ground, follow accepted practices and mark the lead near the terminal block to indicate that it is not neutral.

**2.2.7 Fuse Accessory Only:** Skip to next step if unit will not be fused. Wire single or double fusing according to Figure 6.

**2.2.8 Dress wires** to ensure they will not get pinched by components when shutting the electrical door. If Optical Door was removed prior to installation, replace along with cotter pin. Reconnect Optical Door electrical plug. Shut Optical Door and engage both latches.

**2.2.9** Electrically energize the unit and check for proper operation.

**2.2.11 S Mount (Plate Mount for Side Entry)**

S Mount units are designed for side conduit entry, using ¾”-14 NPT fittings. For proper seal, tighten metal fittings to 30 ft-lbs. Front pipe wire entry and mounting hardware is not included on S Mount units. Mounting plate is provided by customer. See Figure 9 for mounting dimensions and hardware.

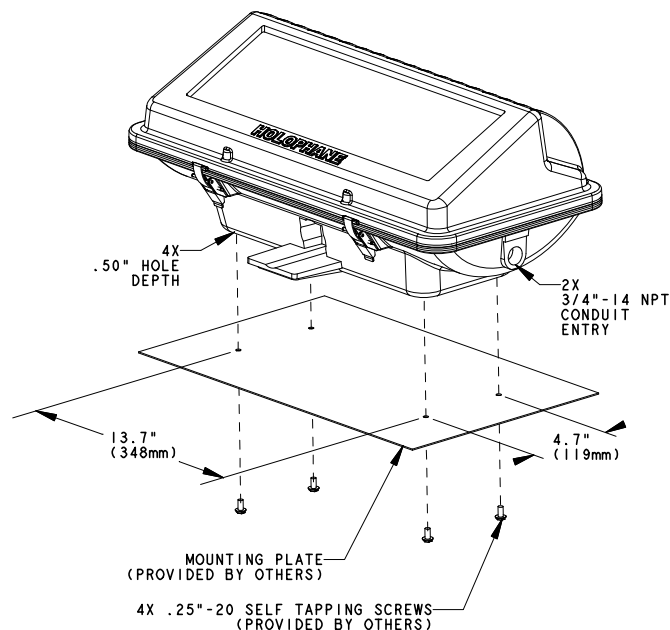
**2.3 DF Option Units (Defrost Option)**

Units equipped with the DF Option contain a heated glass panel, low voltage power supply or transformer and thermostat. The heated glass panel will be energized when ambient temperatures fall below 0°C (32°F).

The DF Option will greatly accelerate the removal of snow or ice buildup during cold weather.

The heated glass panel will automatically turn off when temperatures rise above freezing.

Figure 9 – Plate Mounting Dimensions



### 3 MAINTENANCE

#### 3.1 Cleaning of Luminaire.

**3.1.1** Wipe off exterior dirt and debris using a soft clean cloth. A mild detergent and water may be used if necessary.

#### CAUTION

DO NOT USE ABRASIVE CLEANERS ON OPTICAL SURFACES. THEIR USE MAY RESULT IN THE LOSS OF OPTICAL EFFICIENCY.

#### 3.2 Electrical Component Replacement.

**3.2.1** Disconnect power to the unit prior to opening and performing any maintenance.

**3.2.2** Access to the Optical Door Chamber should be performed by qualified personnel experienced with solid state lighting only. Contact factory for support.

**3.2.3** Surge Protector Replacement: See Figure 6. Locate the surge protector next to the terminal block. Disconnect the surge protector via the wiring quick disconnect. Remove the (2) screws holding the surge protector in place and retain. Carefully remove the surge protector and install the new Holophane approved surge protector in the same orientation with the original screws. Secure the terminal block and re-connect the surge protector's quick disconnect. Perform steps 2.2.6 and 2.2.7.

**3.2.4** LED Driver Replacement: See Figure 8. Before removing components, disconnect driver input and output leads nearest the driver via the quick disconnects.

Main Driver: Remove the (2) driver screws to remove the main driver from the electrical housing; retain screws for reuse. Install new Holophane approved driver and tighten screws securely. Reconnect all driver input and output leads.

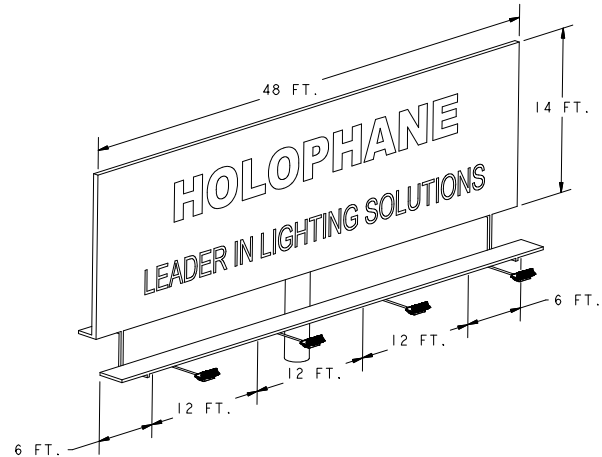
Perform steps 2.2.6 and 2.2.7.

#### 4 Limited Warranty and Limitation of Liability

Refer to the Holophane limited material warranty and limitations of liability on this product, which are published on the Holophane web site at:

<http://www.holophane.com/company/terms.pdf>

Figure 10 – Design Spacing for 14x48' Board



GR2106



Acuity Lighting Group, Inc.  
214 Oakwood Ave., Newark, OH 43055

IM-336-F 7/14 ©2013 Acuity Lighting Group Inc.  
ALL RIGHTS RESERVED.  
Visit our web site at [www.holophane.com](http://www.holophane.com)